

Hoffman|Controls

Product Data



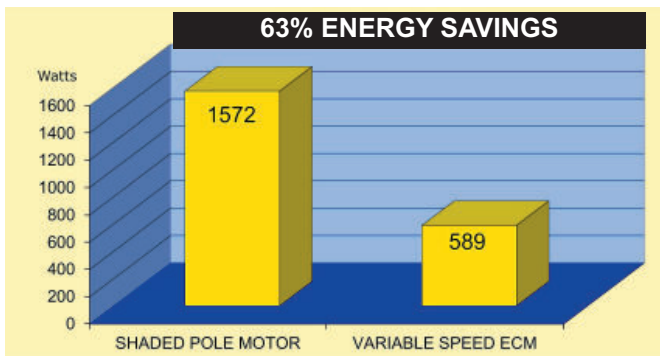
759 IMESA ECM MOTOR KIT

Description

The 759 IMESA ECM Motor Kit is used in conjunction with the Hoffman Controls 759-ECM Variable Speed Evaporator Fan Controller to **Optimize Energy Savings** over constant speed Shaded Pole motors in commercial refrigeration applications.

The Kit includes one 1/15HP, 115Vac, 500-1800RPM, CCW, 3.3-10Vdc input variable speed ECM motor, ten feet of 18AWG input signal wire and hardware for ease of installation.

When the 759 IMESA Motor is used with the 759-ECM variable speed controller a **Remarkable 63%** or more **Energy Savings** can be achieved.



759 IMESA ECM MOTOR KIT

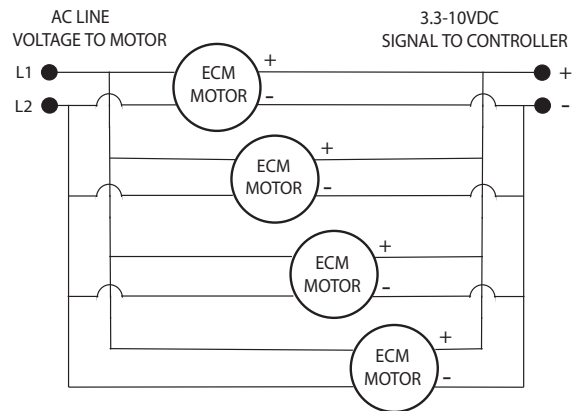
P/N 520-1800-759

Application

The 759 IMESA ECM Motor and Controller can be used with new or existing equipment, can be used with mechanical or electronic expansion valves, is not refrigerant specific and can be applied to a wide range of walk in and reach in Coolers and Freezers.

Installation is simple and does not require changes to the thermostat or compressor wiring. Simply attach four temperature sensors, connect power to the 759 Controller, and install the IMESA variable speed ECM motor(s). The 759 Controller requires no programming or set-up. It will learn the vault conditions and optimize the fan speed for maximum efficiency.

Up to twelve 759 IMESA 3.3-10Vdc ECM Motors can be used with one 759-ECM Controller. Note that when connecting multiple ECM motors to a single 759 Controller, the installer can daisy chain one motor to the next as shown below or directly connect up to three motors to one Vdc terminal block on the Controller.



Specifications

Motor Type	ECM (dc brushless) Motor
Motor Speed	Variable, 500-1800RPM, CCW
Line Voltage	115VAC, 1 AMP, 50/60 Hz, 50W
Input Signal	3.3Vdc - 10Vdc, 7mA (max)
Operating Temperature	-40°C to +55°C
Dimensions (L x W x H)	4.25" x 4.25" x 6.5"
Shaft Dimensions	L=2.125", D=.312", Flat=.275"

Hoffman|Controls